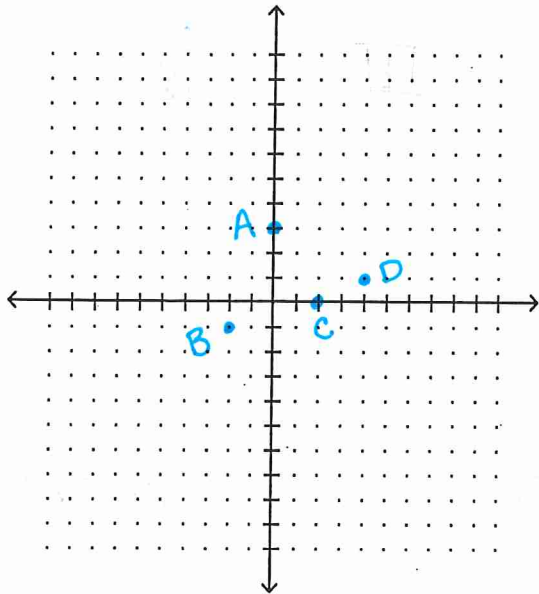


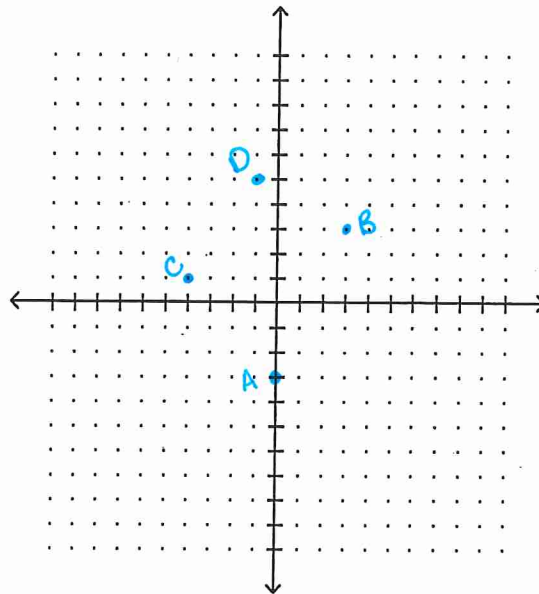
Prep for Ch. 5 – Notes – In Class Practice – DO NOT WORK AHEAD!

Plot and label the ordered pairs in a coordinate plane.

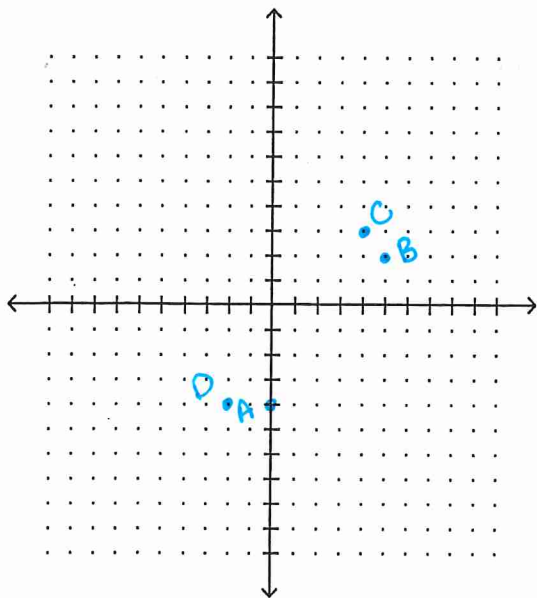
1. A (0, 3) B (-2, -1)
C (2, 0) D (4, 1)



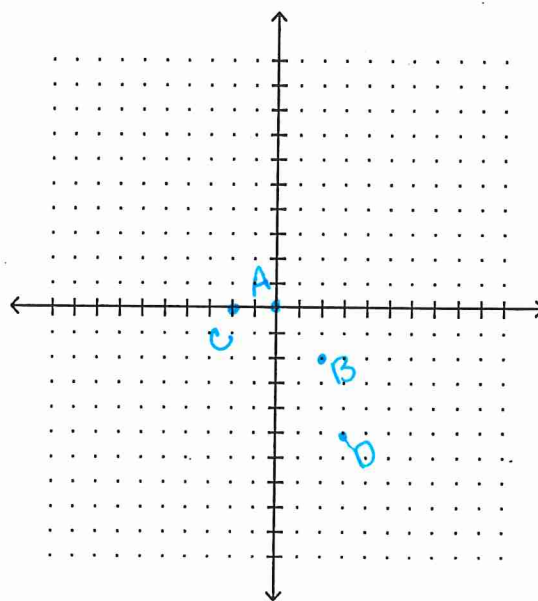
2. A (0, -3) B (3, 3)
C (-4, 1) D (-1, 5)



3. A (0, -4) B (5, 2)
C (4, 3) D (-2, -4)



4. A (0, 0) B (2, -2)
C (-2, 0) D (3, -5)

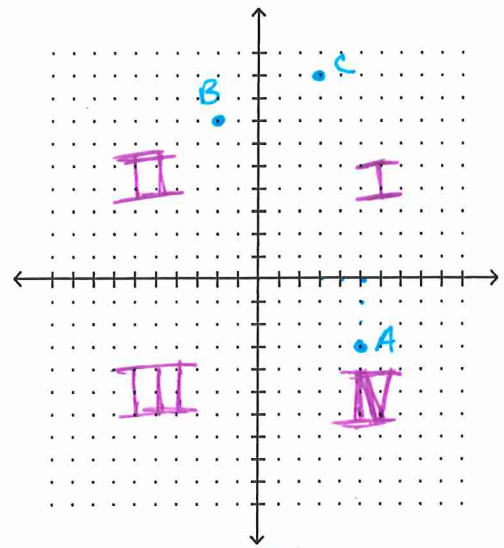


5. Plot each point and tell which quadrant it is in.

A (5, -3) Quadrant IV

B (-2, 7) Quadrant II

C (3, 9) Quadrant I



For numbers 6 – 8, using the graphs below each number, write the ordered pair that corresponds to the points labeled A, B, C, and D in the coordinate plane. Also, tell me which quadrant each point is in (use the proper roman numerals).

6. A (4, 4) QI

7. A (-3, 9) QII

8. A (-10, 3) QII

B (-8, -7) QIII

B (5, -8) QIV

B (4, -3) QIV

C (-3, 1) QII

C (9, 1) QI

C (9, 9) QI

D (8, -7) QIV

D (-7, -2) QIII

D (-4, -3) QIII

